

## Optional antenna connections

You may need an outdoor antenna if you use this system in a mountainous region or inside a reinforced-concrete building, etc.

### FM outdoor antenna (not included) **A**

#### Note

An outdoor antenna should be installed by a competent technician only.

### AM outdoor antenna (not included) **B**

Connect the outdoor antenna without removing the AM loop antenna. Run 5 to 12 m of vinyl-covered wire horizontally along a window or other convenient location.


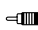

#### Note

When the unit is not in use, disconnect the outdoor antenna to prevent possible damage that may be caused by lightning. Never use an outdoor antenna during an electrical storm.

### Connecting a minidisc deck, etc. **C**

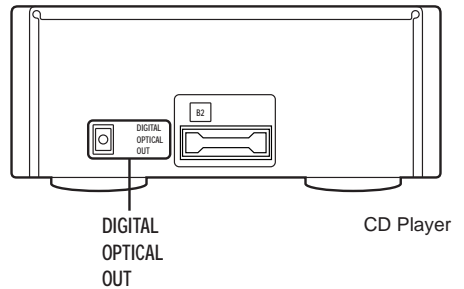
- Make sure that the power supply for all components has been turned off before making any connections.
- For details, refer to the operating instructions of the external unit which is to be connected.
- All peripheral components and cables sold separately.

#### Stereo connection cable

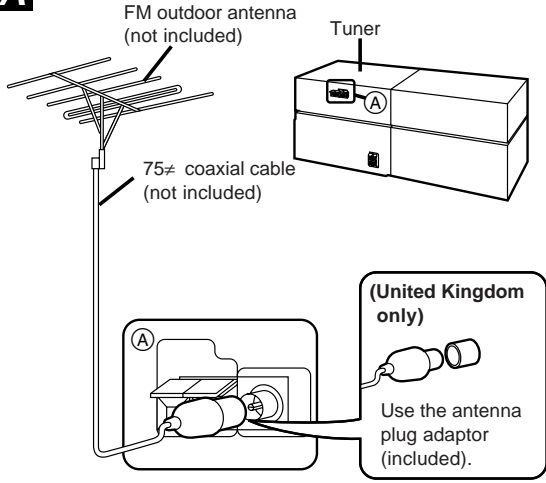
White (L)    
 Red (R)  

#### Connections to "DIGITAL OPTICAL OUT" terminal: **a**

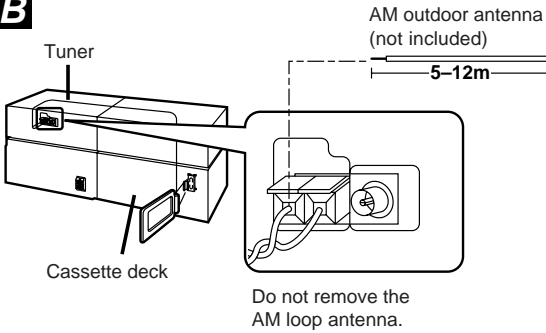
Before using this terminal, take out the dust protection cap. Connect an optical-fiber cable to the optical input terminal of the minidisc deck (not included).



**A**



**B**



**C**

